

ARCTIKO PR 1350

true cooling specialists



BIOMEDICAL REFRIGERATOR

With its low energy consumption, Arctiko's eco-friendly PR series offers flexibility, security, and reliability for users. The Carel controller features an integrated data logger, which can be accessed via Bluetooth.

► ENERGY STAR CERTIFIED

Energy Star certified, guaranteeing exceptional energy efficiency and reduced environmental impact, while maintaining superior performance in temperature-sensitive storage applications.

► INTEGRATED DATA LOGGER

Combining accurate temperature monitoring for optimal sample storage and regulatory compliance, the integrated data logger empowers you with on-the-go control via detailed graphs, alarms, and settings accessible through your phone's Bluetooth connection to the unit's display.

► FORCED AIR COOLING

Forced air cooling provides excellent temperature stability. Forcing the airflow around the stored items ensures quick temperature recovery after door openings.

► KEY LOCK SECURITY

Equipped with a secure key lock, providing an added layer of protection for valuable contents and preventing unauthorized access. This feature ensures the integrity and confidentiality of stored items, making it ideal for environments where security is paramount.

► SNAP/EPA COMPLIANT REFRIGERANT

Utilizes refrigerants that are fully compliant with the Environmental Protection Agency (EPA) and the Significant New Alternatives Policy (SNAP) regulations, ensuring environmentally responsible operation without compromising performance or safety.



PR 1350



The Carel controller features Bluetooth connection, visual and acoustic alarms, high/low-temperature alarms, open-door alarms and a data logger.



Easily adjustable shelves in order to offer best flexibility for your storage needs.



All models feature durable, cost saving LED lighting for better overview of your samples.



DATA LOGGER



AIR FORCED COOLING



ADJUSTABLE SHELVES



VARIOUS SAFETY FEATURES

* The pictures shown are for reference only, actual product size may vary. Please read the dimensions of the product in the specifications.

ARCTIKO PR 1350

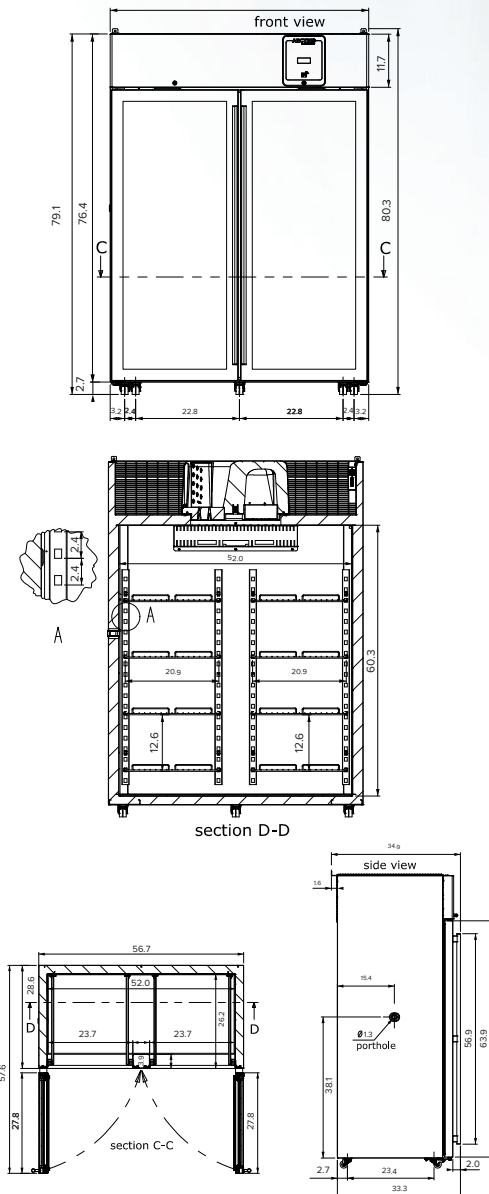
true cooling specialists

PRODUCT FEATURES

The ARCTIKO PR, LR and LF series includes the following features, and more:

- Forced Air Cooling
- Low Energy Consumption
- Key Lock on Door
- Carel controller
- Remote Alarm Interface
- Monoblock Technology
- Eco Friendly Refrigerant

MAIN DIMENSIONS



| MODEL | | PR 1350 |
|--------------------------------------|---|--|
| Main specifications | Item code | 1700029-01 |
| | Temperature range (°C) | 2°C to 8°C |
| | Ambient temperature (°C) | 40°C |
| | Capacity (L) | 1400 |
| | Capacity (cu.FT) | 49.44 |
| | Exterior dimensions WxDxH (inches) | 57x31x79 |
| | Interior dimensions WxDxH (inches) | 52x26x60 |
| | Weight (lb) | 518 |
| | Insulation (inches) | 2.36 |
| | Cooling technology | Air Forced |
| Controller model / probe type | Carel iJS / NTC | |
| Power | Power supply (V) | 115 |
| | Frequency (Hz) | 60 |
| | Power consumption (kWh/24h) | 3.85 |
| | AMP (A) | 5.4 |
| | Power (Watt) | 470 |
| Horsepower (HP) | 1/3 | |
| Alarm functions | Alarm (displayed as text, not codes) | Yes |
| | Visual / acoustic alarm | Yes / Yes |
| | Power failure alarm | Yes |
| | Adjustable high / low-temperature alarm | Yes / Yes |
| | Open door alarm | Yes |
| | Probe failure alarm | Yes |
| Low battery alarm | Yes | |
| Data logging & external connection | Voltage-free contact for remote alarm (e.g. GSM alarm module) | Yes |
| | Bluetooth data download | Yes |
| | Electronic data logger | Yes |
| Display features | Lockable display to prevent accidental shutdowns | Yes |
| | Temperature Graph Available via app | Bluetooth |
| | Number of optional reference probes | 2 |
| Other features | Automatic defrost | Yes |
| | Vacuum release port | Yes |
| | Access port for external probe etc. | Yes |
| | Light | Yes |
| | Lock with key | Yes |
| | Castors (total pcs) / castors with brake (pcs) | 6 / 2 |
| | Fixed shelves (pcs) / adjustable shelves (pcs) | 6 |
| | Max. no. of shelves (pcs) / recommended max. no. of shelves (pcs) | 12 |
| | Max load per shelf (lb) | 99 |
| Adjustable drawers (pcs) | Optional | |
| Max. no. of adjustable drawers (pcs) | 12 | |
| Max. load per adjustable drawer (lb) | 99 | |
| Refrigeration & cabinet | Number of compressors | 1 |
| | Refrigerant | R290 |
| | Interior cabinet material | PVC film coated and Anticorrosion treated hot-dip galvanized steel |
| | Exterior cabinet material | PVC film coated and Anticorrosion treated hot-dip galvanized steel |
| | Colour (exterior cabinet) | White |
| Foam type | Cyclopentane polyurethane | |
| Shipping | Shipping weight (lb) | 564 |
| | Shipping dimensions WxDxH (inches) | 60x36x87 |
| | Shipping volume (cu.FT) | 109.48 |

CERTIFICATES

