

ARCTIKO CRYO 230

true cooling specialists



HIGHLY RELIABLE CRYOGENIC FREEZER WITH INDEPENDENT TRUE DUAL™ TECHNOLOGY PROVIDES THE BEST SECURITY FOR YOUR SAMPLES.

The cryogenic freezer offers a wide variety of research and long-term storage application for ultra low temperature scientific experiments, preservation of cells, DNA, bone material & bacteria.

► ENERGY EFFICIENT

Arctiko's CRYO 230 freezer only uses 33kwh/24h which is extremely low compared with competitors.

The independent TRUE DUAL™ technology ensures extremely low cost of ownership and noticeable impact on the runnings costs. Our CRYO is a superior alternative to LN2 based products, e.g. cryotanks. With no LN2 needed, it operates solely on a power supply which lowers the operating costs.

► SUPERIOR PERFORMANCE

The dual cooling system is designed to keep the unit at -150°C, and with only one cooling system active the unit is still able to achieve -130°C – with an outstanding uniformity of +/-3°C.

The TRUE DUAL™ technology makes sure that you are provided with the best and most secure and reliable cryogenic freezers with excellent temperature stability and superior performance.

► MOST SECURE CHOICE

Arctiko's CRYO freezer eliminates the cost of LN2 storage maintenance and avoids hazardous operation conditions.

Arctiko's CRYO freezers are specially developed to avoid cross contamination and to provide a more environmentally friendly economic alternative to the LN2 cryotanks. Choosing this CRYO you will have one of the most reliable freezers available in the market.



TRUE DUAL™ TECHNOLOGY



FILTERLESS CONSTRUCTION



REDUCED NOISE LEVEL

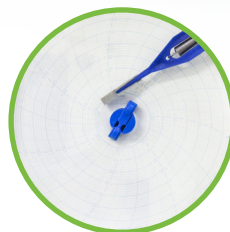


LOW ENERGY CONSUMPTION



Reaches -150°C in less than 6 hours!

CRYO 230



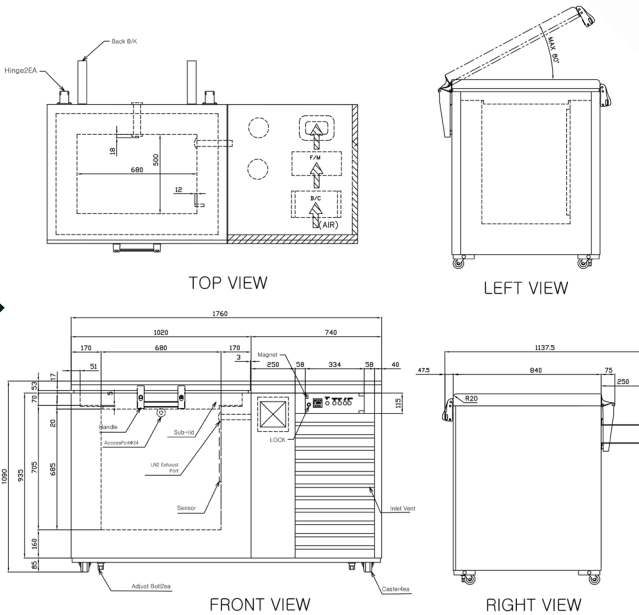
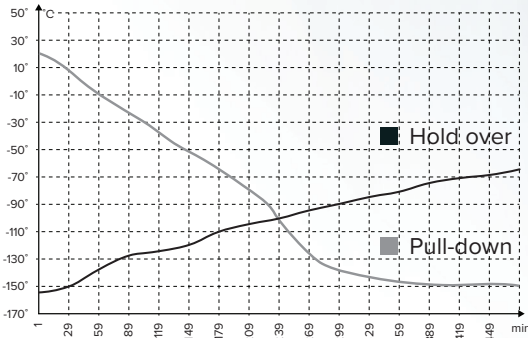
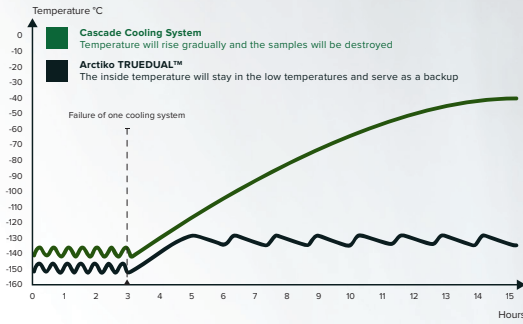
Temperature chart recorder for recording of temperature (optinal).



User-friendly controller with access to all the necessary functions.



Key lock is standard feature in our CRYO 230. Placed on handle for optimal security of your samples.



The ARCTIKO CRYO 230 supports following optional features:

- LN2 backup
- GSM alarm module
- Racks & boxes
- Cryo gloves



GO WITH TRUE DUAL™ COOLING TECHNOLOGY FOR EXTRA SECURITY

MODEL	CRYO 230
Item code	DAI 0198
Temperature range (°C)	-140 / -150
Max. ambient temperature (°C)	30
Capacity (L)	233
Exterior dimensions WxDxH (mm)	1760x962,5/1137,5"x1090
Interior dimensions WxDxH (mm)	680x500x685
Weight (KG)	391
Insulation (mm)	170
Cooling technology	dual system / static
Controller model / probe type	TTM-004 / PT100
Power supply (V)	3 x 400
Frequency (Hz)	50
Power consumption (kWh/24h)	33.5
AMP (A)	4.7
Power (Watt)	2021
Horse power (HP)	2 x 1 1/2
Alarm display as text - not codes	no
Visual / acoustic alarm	yes / yes
Power failure alarm	yes
Adjustable high / low temperature alarm	yes / yes
Open door alarm	no
Probe failure alarm	yes
Low battery alarm	no
Compressor failure alarm	no
Battery backup for alarms (approx. hrs.)	48
Voltage free contact for remote alarm (e.g. GSM alarm module)	yes
Electronic data logger	no
RS 485 port	no
USB port for software update & data download	no
Temperature chart recorder	yes
Display type	LED display
Number of optional reference probes	no
Password protection for turning unit on / off	no
Temperature graph on display	no
Automatic defrost	no
Vacuum release port	yes
Access port for external probe etc. (int. diameter mm)	20
Light	no
Lock with key	yes
Castors (total pcs) / castors with brake (pcs)	4 / 0
Fixed feet (pcs) / levelling feet (pcs)	0 / 2
Sub lids / inner doors (pcs)	2
Reversible door(s)	no
Fixed shelves (pcs) / adjustable shelves (pcs)	no
Adjustable drawers (pcs)	no
Baskets (pcs)	no
Total capacity of 50 mm boxes 9x9 didviders (pcs)	144
Total capacity of 75 mm boxes 9x9 didviders (pcs)	96
Total capacity of 96 mm boxes 9x9 didviders (pcs)	72
Number of compressors	2
Refrigerant	mix
Interior cabinet material	stainless steel
Exterior cabinet material	painted steel
Colour (exterior cabinet)	ivory
Foam type	polyurethane
VIP vacuum insulated panels	no
Shipping weight (KG)	563
Shipping dimensions WxDxH (cm)	210x122x140
Shipping volume (m ³)	3,59

*Depth of 1135 mm includes distance fittings on back for correct air circulation.