

ARCTIKO Flexaline PRE 125

true cooling specialists



BIOMEDICAL REFRIGERATOR

Introducing the PRE 125 from our Flexaline series, the epitome of advanced design in biomedical refrigeration. This meticulously crafted glass door refrigerator is specifically engineered to meet the stringent demands of biomedical applications. Equipped with state-of-the-art temperature controls and cutting-edge technology, these refrigerators play a crucial role in safeguarding the integrity of medical supplies and advancing scientific accomplishments.

ARCTIKO's Flexaline is unique in this field with an integrated data logger for extra security.

▶ ENERGY STAR CERTIFIED

Energy Star certified, guaranteeing exceptional energy efficiency and reduced environmental impact, while maintaining superior performance in temperature-sensitive storage applications.

▶ INTEGRATED DATA LOGGER

Integrated data logger, providing accurate monitoring of temperature conditions. This allows for precise data recording and analysis, ensuring optimal storage conditions for critical samples and maintaining regulatory compliance.

▶ FORCED AIR COOLING

Forced air cooling provides excellent temperature stability. Forcing the airflow around the stored items ensures quick temperature recovery after door openings.

▶ KEY LOCK SECURITY

Equipped with a secure key lock, providing an added layer of protection for valuable contents and preventing unauthorized access. This feature ensures the integrity and confidentiality of stored items, making it ideal for environments where security is paramount.

▶ SNAP/EPA COMPLIANT REFRIGERANT

Utilizes refrigerants that are fully compliant with the Environmental Protection Agency (EPA) and the Significant New Alternatives Policy (SNAP) regulations, ensuring environmentally responsible operation without compromising performance or safety.



PRE 125



Microprocessor controller with visual and acoustic alarms, high/low temperature alarm, open door alarm, and integrated data logger.



Adjustable shelves for flexible storage.



All models feature durable and cost-saving, customizable LED lighting for improved sample visibility.



DATA LOGGER



USB PORT



FORCED AIR COOLING



ADJUSTABLE SHELVES

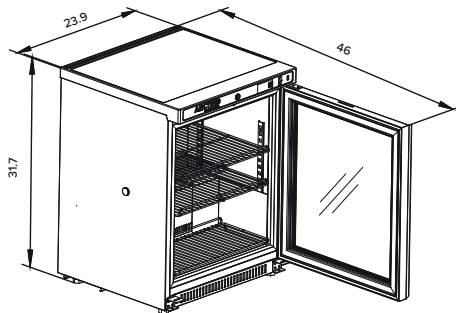
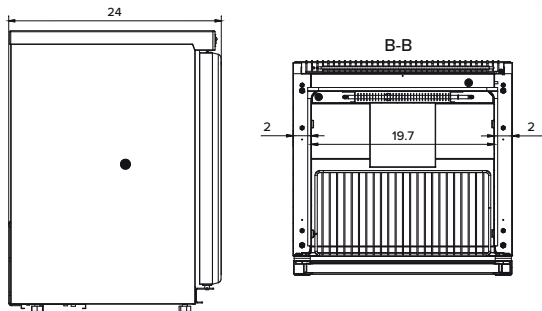
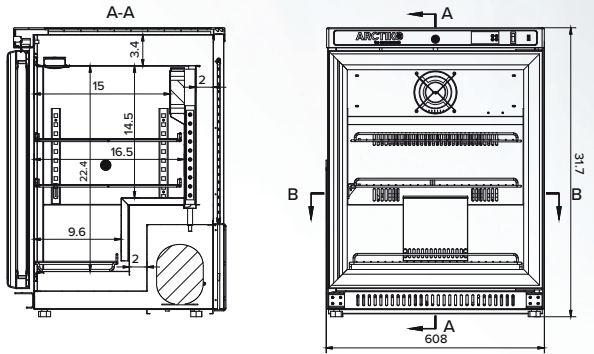


VARIOUS SAFETY FEATURES

* The pictures shown are for reference only, actual product size may vary. Please read the dimensions of the product in the specifications.

The ARCTIKO Flexaline series includes the following features, and more:

- Energy star certified
- SNAP/EPA compliant refrigerant
- Built-in data logger
- Key lock
- Microprocessor controller
- Adjustable shelves
- Automatic defrost
- Access port for external sensor
- Anti freeze thermostat



| MODEL | | PRE 125 |
|--|---|--------------------------------|
| Main specifications | Item code | 1900015-01 |
| | Temperature range (°C) | 2°C to 8°C |
| | Ambient temperature (°C) | 16°C to 32°C |
| | Capacity (L) | [121 / 109] |
| | Exterior dimensions WxDxH (mm) | 608×610×805 |
| | Interior dimensions WxDxH (mm) | 500×450×570 |
| | Weight (KG) | 42 |
| | Insulation (mm) | 50 |
| | Cooling technology | Air-forced |
| | Controller model / probe type | Honker / NTC |
| Power | Power supply (V) | 230 |
| | Frequency (Hz) | 50/60 |
| | Power consumption (kWh/24h) | 2.0 |
| | AMP (A) | 1.0 |
| | Power (Watt) | 135 |
| | Horsepower (HP) | 1/6 |
| Alarm functions | Alarm (displayed as text, not codes) | No |
| | Visual / acoustic alarm | Yes / Yes |
| | Power failure alarm | Yes |
| | Adjustable high / low-temperature alarm | Yes / Yes |
| | Open door alarm | Yes |
| | Probe failure alarm | Yes |
| | Low battery alarm | Yes |
| | Compressor failure alarm | No |
| Data logging & external connection | Voltage-free contact for remote alarm (e.g. GSM alarm module) | Yes |
| | Electronic data logger | Yes |
| | USB port for software update & data download | Yes |
| | Temperature chart recorder | No |
| Display features | Display type | Digital |
| | Number of optional reference probes | N/A |
| | Password protection for turning unit on / off | No |
| | Temperature graph on display | No |
| Other features | Automatic defrost | Yes |
| | Antifreeze function | Yes (2°C) |
| | Vacuum release port | No |
| | Access port for external probe etc. (int. diameter mm) | 20 |
| | Light | Yes |
| | Lock with key | Yes |
| | Castors (total pcs) / castors with brake (pcs) | No |
| | Fixed feet (pcs) / levelling feet (pcs) | 4 / 4 |
| | Sub lids / inner doors (pcs) | No |
| | Reversible door(s) | Yes |
| | Fixed shelves (pcs) / adjustable shelves (pcs) | 0 / 3 |
| | Max. no. of shelves (pcs) / recommended max. no. of shelves (pcs) | 3 / 3 |
| | Max load per shelf (kg) | 19 |
| | Adjustable drawers (pcs) | N/A |
| Max. no. of adjustable drawers (pcs) | N/A | |
| Max. load per adjustable drawer (kg) | N/A | |
| Max. no. of blood bags - by standard no. of adj. drawers (pcs) | N/A | |
| Max. no. of blood bags - by max. no. of adj. drawers (pcs) | N/A | |
| Refrigeration & cabinet | Number of compressors | 1 |
| | Refrigerant | R600a |
| | Interior cabinet material | Powder coated aluminum plate |
| | Exterior cabinet material | Powder coated galvanized steel |
| | Colour (exterior cabinet) | White |
| | Foam type | Cyclopentane |
| Shipping | VIP vacuum insulated panels | No |
| | Shipping weight (kg) | 52 |
| | Shipping dimensions WxDxH (mm) | 650×664×872 |
| Shipping volume (m ³) | 0,4 | |