

ARCTIKO Flexaline LRE 60

true cooling specialists



BIOMEDICAL REFRIGERATOR

The LRE 60 is a counter top refrigerator designed for pharmaceutical applications. With a solid door and capacity of 60L, this upright model ensures precise temperature control within the range of +2 °C to +8 °C.

ARCTIKO's Flexaline is unique in this field with an integrated data logger for extra security.

▶ ENERGY STAR CERTIFIED

Energy Star certified, guaranteeing exceptional energy efficiency and reduced environmental impact, while maintaining superior performance in temperature-sensitive storage applications.

▶ INTEGRATED DATA LOGGER

Integrated data logger, providing accurate monitoring of temperature conditions. This allows for precise data recording and analysis, ensuring optimal storage conditions for critical samples and maintaining regulatory compliance.

▶ FORCED AIR COOLING

Forced air cooling provides excellent temperature stability. Forcing the airflow around the stored items ensures quick temperature recovery after door openings.

▶ KEY LOCK SECURITY

Equipped with a secure key lock, providing an added layer of protection for valuable contents and preventing unauthorized access. This feature ensures the integrity and confidentiality of stored items, making it ideal for environments where security is paramount.

▶ SNAP/EPA COMPLIANT REFRIGERANT

Utilizes refrigerants that are fully compliant with the Environmental Protection Agency (EPA) and the Significant New Alternatives Policy (SNAP) regulations, ensuring environmentally responsible operation without compromising performance or safety.



LRE 60



Microprocessor controller with visual and acoustic alarms, high/low temperature alarm, open door alarm, and integrated data logger.



Adjustable shelves for flexible storage.



All models feature durable and cost-saving, customizable LED lighting for improved sample visibility.



DATA LOGGER



USB PORT



FORCED AIR COOLING



ADJUSTABLE SHELVES

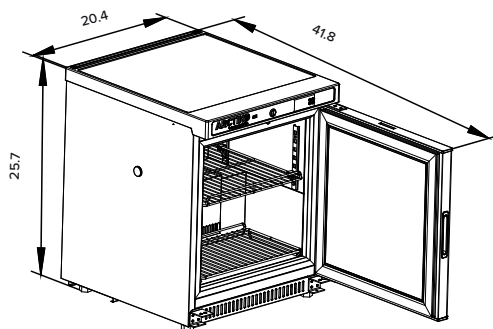
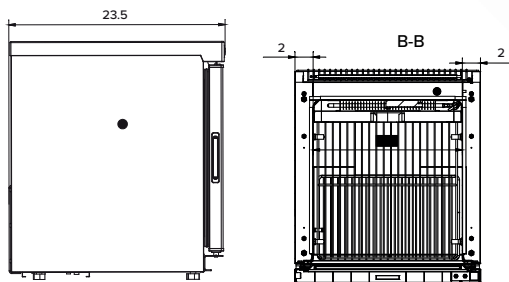
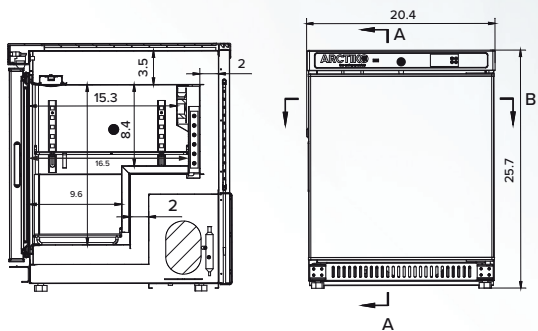


VARIOUS SAFETY FEATURES

* The pictures shown are for reference only, actual product size may vary. Please read the dimensions of the product in the specifications.

The ARCTIKO Flexaline series includes the following features, and more:

- Energy star certified
- SNAP/EPA compliant refrigerant
- Built-in data logger
- Key lock
- Microprocessor controller
- Adjustable shelves
- Automatic defrost
- Access port for external sensor
- Anti freeze thermostat



MODEL	LRE 60
Main specifications	
Item code	1900024-01
Temperature range (°C)	2°C to 8°C
Ambient temperature (°C)	16°C to 32°C
Capacity (L)	[60 / 60]
Exterior dimensions WxDxH (mm)	518×598×654
Interior dimensions WxDxH (mm)	410×450×420
Weight (KG)	31
Insulation (mm)	50
Cooling technology	Air-forced
Controller model / probe type	Honker / NTC
Power	
Power supply (V)	230
Frequency (Hz)	50/60
Power consumption (kWh/24h)	1,4
AMP (A)	0,7
Power (Watt)	115
Horsepower (HP)	1/6
Alarm functions	
Alarm (displayed as text, not codes)	No
Visual / acoustic alarm	Yes / Yes
Power failure alarm	Yes
Adjustable high / low-temperature alarm	Yes / Yes
Open door alarm	Yes
Probe failure alarm	Yes
Low battery alarm	Yes
Compressor failure alarm	No
Data logging & external connection	
Voltage-free contact for remote alarm (e.g. GSM alarm module)	Yes
Electronic data logger	Yes
USB port for software update & data download	Yes
Temperature chart recorder	No
Display features	
Display type	Digital
Number of optional reference probes	N/A
Password protection for turning unit on / off	No
Temperature graph on display	No
Other features	
Automatic defrost	Yes
Antifreeze function	Yes (2°C)
Vacuum release port	No
Access port for external probe etc. (int. diameter mm)	20
Light	Yes
Lock with key	Yes
Castors (total pcs) / castors with brake (pcs)	No
Fixed feet (pcs) / levelling feet (pcs)	4 / 4
Sub lids / inner doors (pcs)	No
Reversible door(s)	Yes
Fixed shelves (pcs) / adjustable shelves (pcs)	0 / 2
Max. no. of shelves / recommended max. no. of shelves (pcs)	2 / 2
Max load per shelf (kg)	15
Adjustable drawers (pcs)	N/A
Max. no. of adjustable drawers (pcs)	N/A
Max. load per adjustable drawer (kg)	N/A
Max. no. of blood bags - by standard no. of adj. drawers (pcs)	N/A
Max. no. of blood bags - by max. no. of adj. drawers (pcs)	N/A
Refrigeration & cabinet	
Number of compressors	1
Refrigerant	R600a
Interior cabinet material	Powder coated aluminum plate
Exterior cabinet material	Powder coated galvanized steel
Colour (exterior cabinet)	White
Foam type	Cyclopentane
VIP vacuum insulated panels	No
Shipping	
Shipping weight (kg)	45
Shipping dimensions WxDxH (mm)	562×665×725
Shipping volume (m ³)	0,27

