

ARCTIKO PR 1350

true cooling specialists



BIOMEDICAL REFRIGERATOR

With its low energy consumption, Arctiko's eco-friendly PR series offers flexibility, security, and reliability for users. The Carel controller features an integrated data logger, which can be accessed via Bluetooth.

► ENERGY STAR CERTIFIED

Energy Star certified, guaranteeing exceptional energy efficiency and reduced environmental impact, while maintaining superior performance in temperature-sensitive storage applications.

► INTEGRATED DATA LOGGER

Combining accurate temperature monitoring for optimal sample storage and regulatory compliance, the integrated data logger empowers you with on-the-go control via detailed graphs, alarms, and settings accessible through your phone's Bluetooth connection to the unit's display.

► FORCED AIR COOLING

Forced air cooling provides excellent temperature stability. Forcing the airflow around the stored items ensures quick temperature recovery after door openings.

► KEY LOCK SECURITY

Equipped with a secure key lock, providing an added layer of protection for valuable contents and preventing unauthorized access. This feature ensures the integrity and confidentiality of stored items, making it ideal for environments where security is paramount.

► SNAP/EPA COMPLIANT REFRIGERANT

Utilizes refrigerants that are fully compliant with the Environmental Protection Agency (EPA) and the Significant New Alternatives Policy (SNAP) regulations, ensuring environmentally responsible operation without compromising performance or safety.



PR 1350



The Carel controller features Bluetooth connection, visual and acoustic alarms, high/low-temperature alarms, open-door alarms and a data logger.



Easily adjustable shelves in order to offer best flexibility for your storage needs.



All models feature durable, cost saving LED lighting for better overview of your samples.



DATA LOGGER



AIR FORCED COOLING



ADJUSTABLE SHELVES



VARIOUS SAFETY FEATURES

* The pictures shown are for reference only, actual product size may vary. Please read the dimensions of the product in the specifications.

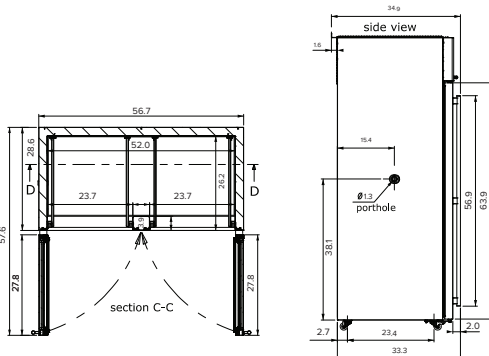
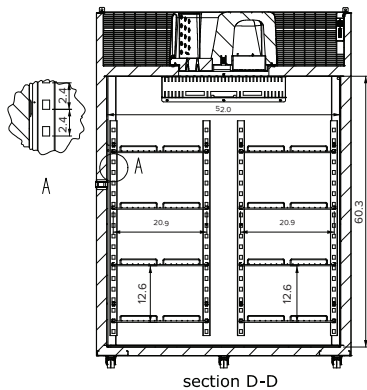
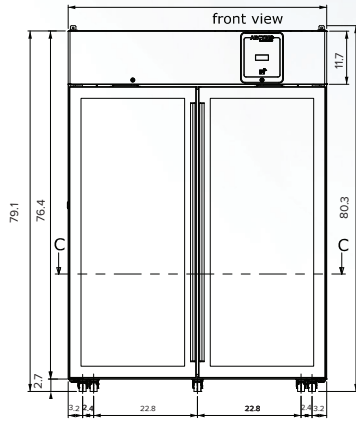
ARCTIKO PR 1350

true cooling specialists

PRODUCT FEATURES

The ARCTIKO PR, LR and LF series includes the following features, and more:

- Forced Air Cooling
- Low Energy Consumption
- Key Lock on Door
- Carel controller
- Remote Alarm Interface
- Monoblock Technology
- Eco Friendly Refrigerant



MAIN DIMENSIONS

MODEL		PR 1350
Main specifications	Item code	1700029-01
	Temperature range (°C)	2°C to 8°C
	Ambient temperature (°C)	40°C
	Capacity (L)	1348
	Capacity (cu.FT)	48
	Exterior dimensions WxDxH (inches)	57x31x79
	Interior dimensions WxDxH (inches)	52x26x60
	Weight (lb)	518
	Insulation (inches)	2.36
	Cooling technology	Air Forced
Controller model / probe type	Carel iJS / NTC	
Power	Power supply (V)	115
	Frequency (Hz)	60
	Power consumption (kWh/24h)	3.85
	AMP (A)	5.4
	Power (Watt)	470
Horsepower (HP)	1/3	
Alarm functions	Alarm (displayed as text, not codes)	Yes
	Visual / acoustic alarm	Yes / Yes
	Power failure alarm	Yes
	Adjustable high / low-temperature alarm	Yes / Yes
	Open door alarm	Yes
	Probe failure alarm	Yes
Low battery alarm	Yes	
Data logging & external connection	Voltage-free contact for remote alarm (e.g. GSM alarm module)	Yes
	Bluetooth data download	Yes
	Electronic data logger	Yes
Display features	Lockable display to prevent accidental shutdowns	Yes
	Temperature Graph Available via app	Bluetooth
	Number of optional reference probes	2
Other features	Automatic defrost	Yes
	Vacuum release port	Yes
	Access port for external probe etc.	Yes
	Light	Yes
	Lock with key	Yes
	Castors (total pcs) / castors with brake (pcs)	6 / 2
	Fixed shelves (pcs) / adjustable shelves (pcs)	6
	Max. no. of shelves (pcs) / recommended max. no. of shelves (pcs)	12
	Max load per shelf (lb)	99
	Adjustable drawers (pcs)	Optional
Max. no. of adjustable drawers (pcs)	12	
Max. load per adjustable drawer (lb)	99	
Refrigeration & cabinet	Number of compressors	1
	Refrigerant	R290
	Interior cabinet material	PVC film coated and Anticorrosion treated hot-dip galvanized steel
	Exterior cabinet material	PVC film coated and Anticorrosion treated hot-dip galvanized steel
	Colour (exterior cabinet)	White
Foam type	Cyclopentane polyurethane	
Shipping	Shipping weight (lb)	564
	Shipping dimensions WxDxH (inches)	60x36x87
	Shipping volume (cu.FT)	109.48

CERTIFICATES

