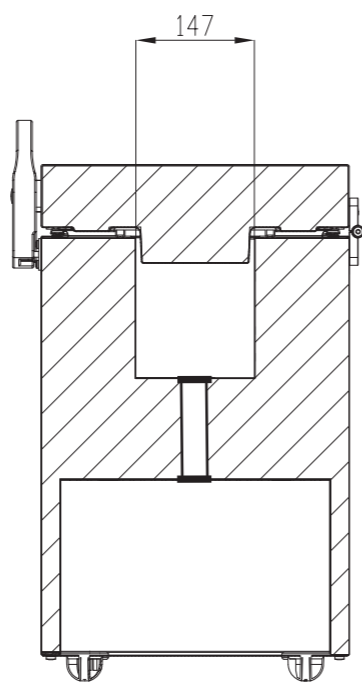
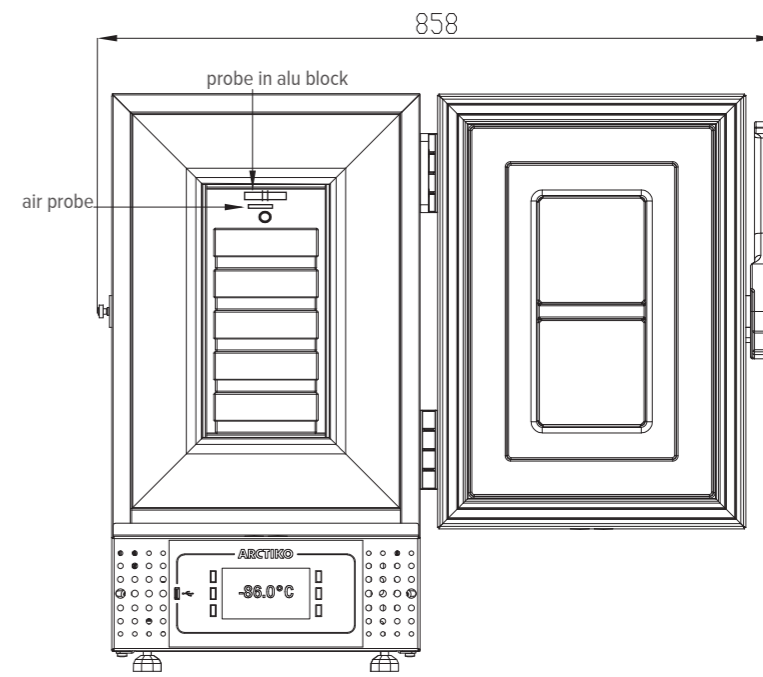
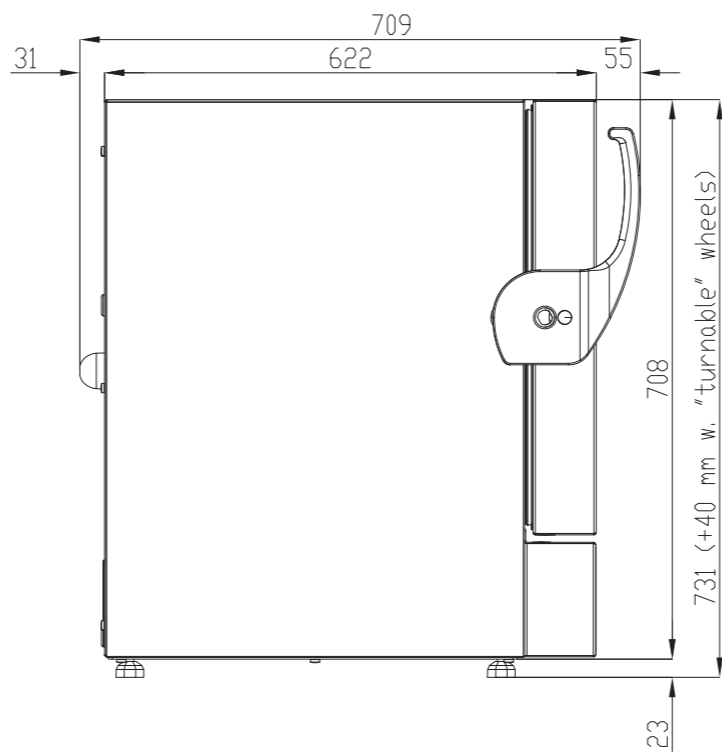
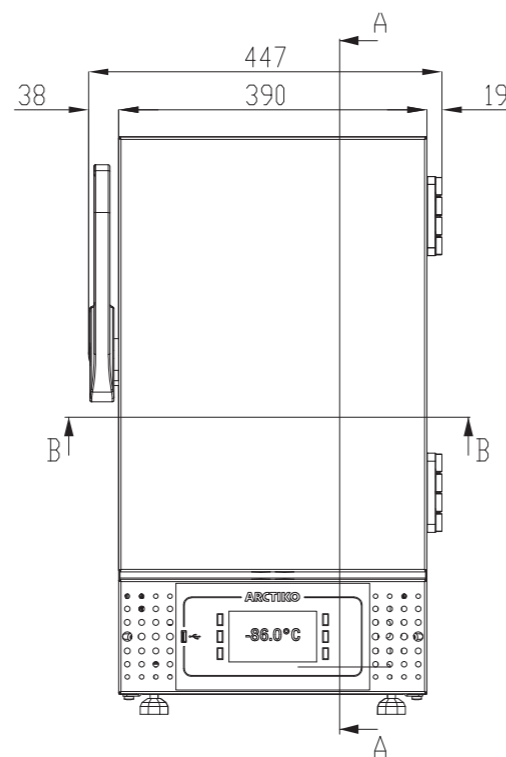
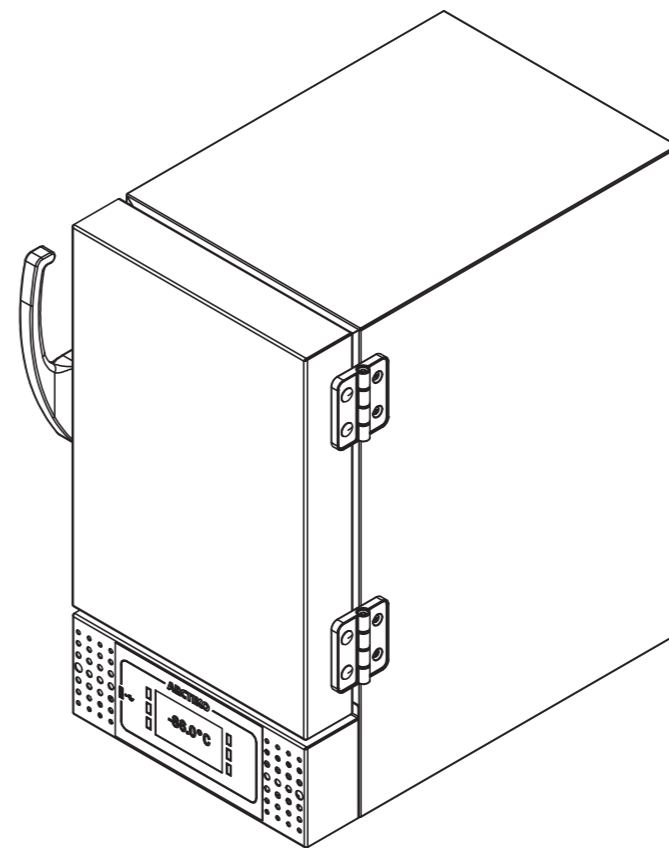


SECTION A-A  
SCALE 1 : 1



SECTION B-B  
SCALE 1 : 1



Description: Dimension drawing P10MV



Drawing no.: 5088202

Revision: 02

Drawing (initials): AOK

Date: 080524

Approval (initials): xxx

Date: xxxxxx

All rights to this drawing belong to Arctiko A/S. The drawing may not be copied nor presented to any other person without prior written consent of Arctiko A/S.