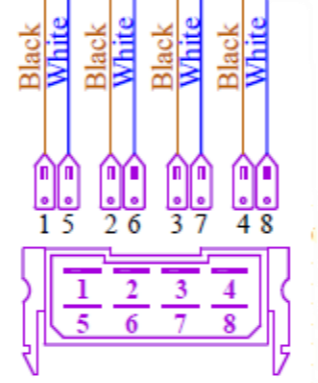
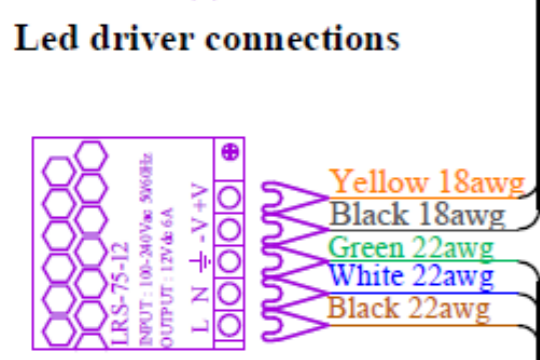
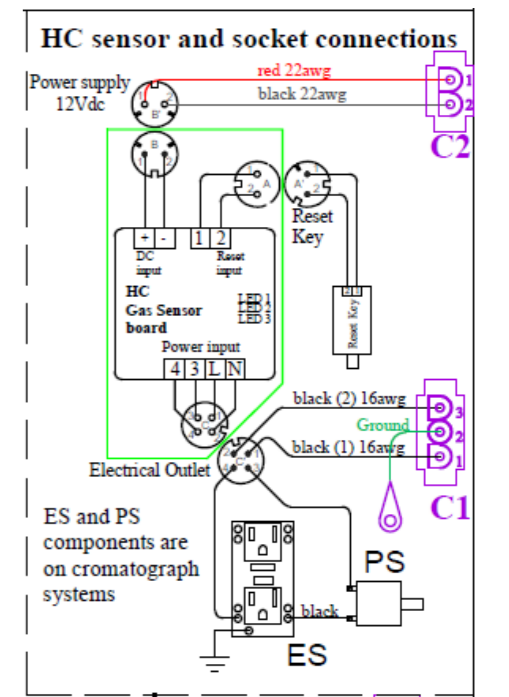
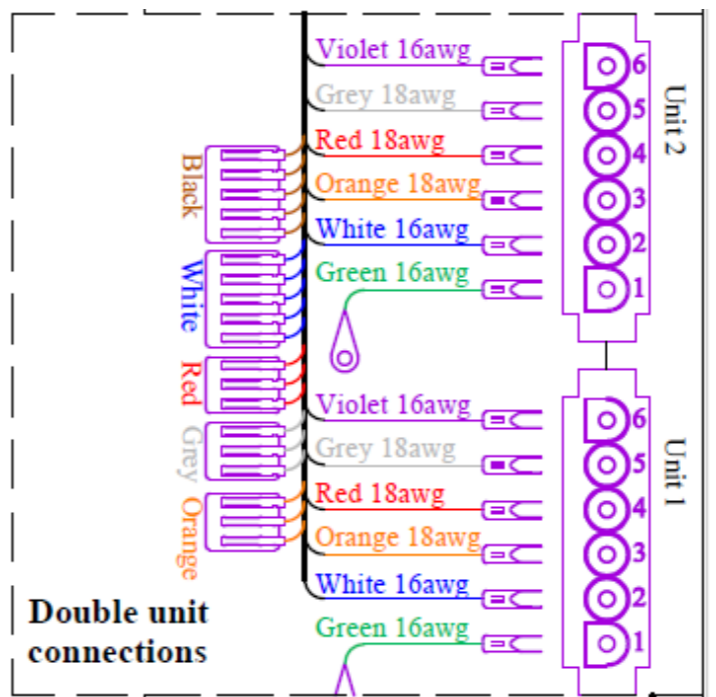


#	Description	Comment
M1	Compressor	
CF	Condenser fan	
EF	Evaporator fan	
EV	Defrost Valve	
FR	Filter	
FH	Door frame heater	
LX	Light	
Pb1	Cabinet Probe	
Pb2	Evaporator probe	
Pb3	Condenser/Monitor probe	
C1&C2	HC Sensor plug	
FU	Fuse	15 Amps
FU..	Fuse (only solid door)	800 mA
DR	Driver (only on system with HC sensor)	12 Vdc
DS	Door switch	



Description of changes:		Initials:	Date:
Author: <i>S. Stucki</i>	Checked:	Title: Wiring diagram for LR 650 / 1350 LF 650 / 1350 PR 350 / 650 / 1350	
Date: 2025-04-28	Date:	Drawing number: 5086150	
Format: A3	Weight: n/a	Rev: 01	Rev. Date: 28/4-25
Scale: n/a		Sheet: 1/1	
 true cooling specialists Lillebæltsvej 90 6715 Esbjerg N. Denmark www.arctiko.com			

All rights to this drawing belong to Arctiko A/S. This drawing may not be duplicated without written permission from Arctiko A/S