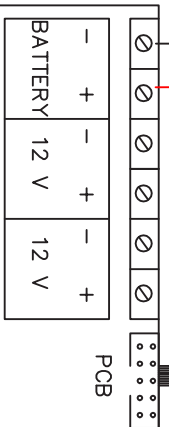
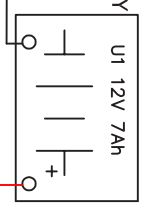
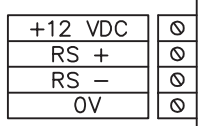
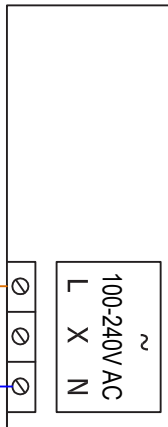


BATTERY U1 12V 7Ah



GECO

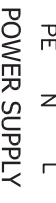
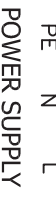
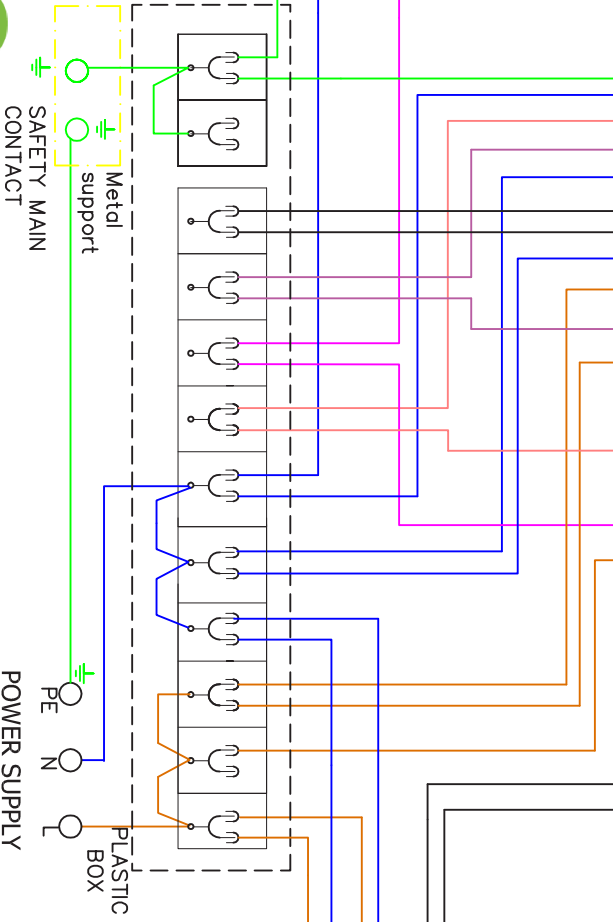
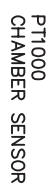
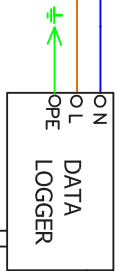
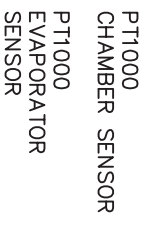
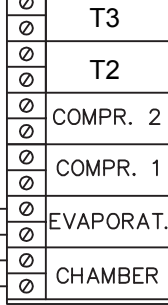
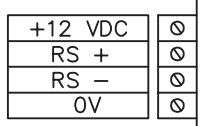
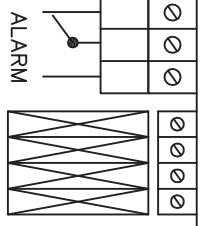
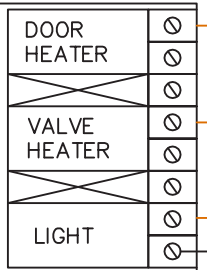
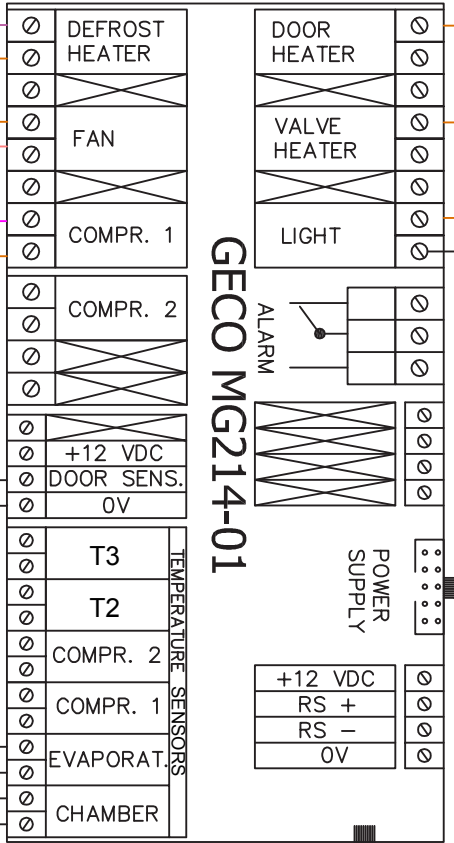
SG214.01



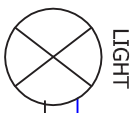
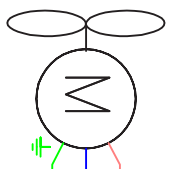
POWER SUPPLY



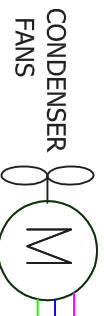
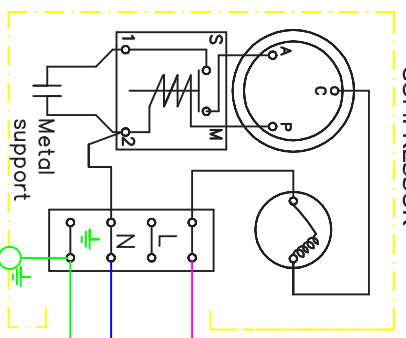
GECO MG214-01



EVAPORATOR FANS



COMPRESSOR



CONDENSER FANS

230V 50Hz (115V 60Hz The special version)

Wiring Diagram for

MBR/PR/100/300/500/700/900/-ST



true cooling specialists